

MYERS®

Submersible Sump/Effluent Pumps

INSTALLATION, OPERATION, & PARTS MANUAL

SAFETY INFORMATION

Carefully read and follow all safety instructions in this manual or on pump.

⚠ This is the safety alert symbol. When you see this symbol on your pump or in this manual, look for one of the following signal words and be alert to the potential for personal injury!

⚠ DANGER warns about hazards that **will** cause serious personal injury, death or major property damage if ignored.

⚠ WARNING warns about hazards that **can** cause serious personal injury, death or major property damage if ignored.

⚠ CAUTION warns about hazards that **will** or **can** cause minor personal injury or property damage if ignored.

The word **NOTICE** indicates special instructions which are important but not related to hazards.

California Proposition 65 Warning

⚠ WARNING This product and related accessories contain chemicals known to the State of California to cause cancer, birth defects or other reproductive harm

DESCRIPTION

These Submersible Sump Pumps are designed for home sumps. The unit is equipped with a 3-prong grounding-type power cord. The shaded-pole motor is oil filled and sealed for cooler running. Upper sleeve/lower ballbearing on the motor shaft never need lubrication. Automatic reset thermal protection.

MOTOR, SWITCH, & CORD SPECIFICATIONS

| Model Number | Motor HP | Full Load Amps | Individual Branch Circuit Required (Amps) | Cord Length | *Switch Setting in inches (mm) | |
|--------------|----------|----------------|---|-------------|--------------------------------|----------|
| | | | | | On | Off |
| ME40110M | 4/10 | 12.5 | 15 | 10' | – | – |
| ME40110T | 4/10 | 12.5 | 15 | 10' | 14" (356) | 5" (127) |
| ME40120M | 4/10 | 12.5 | 15 | 20' | – | – |
| ME40120T | 4/10 | 12.5 | 15 | 20' | 14" (356) | 5" (127) |

SPECIFICATIONS

Power supply required 115V, 60 HZ.
 Motor Duty Continuous
 Liquid Temp. Range 32°F to 130°F (0°-54°C)
 Individual Branch Circuit Required:..... 15 Amps
 Discharge Adapter 1-1/2" NPT

PERFORMANCE

| Model | GPM (LPM) AT TOTAL FEET (m) | | | | No flow at height shown below |
|-------------------|-----------------------------|----------|-----------|-----------|-------------------------------|
| | 5 (1.5m) | 10 (3m) | 15 (4.6m) | 20 (6.1m) | |
| | CAPACITY GALLONS (L)/MINUTE | | | | |
| ME4 Series | 62 (235) | 53 (201) | 46 (174) | 38 (144) | 32 Ft. (9.8m) |

GENERAL SAFETY INFORMATION

Electrically powered sump pumps normally give many years of trouble-free service when correctly installed, maintained, and used. However, unusual circumstances (interruption of power to the pump, dirt/debris in the sump, flooding that exceeds the pump's capacity, electrical or mechanical failure in the pump, etc.) may prevent your pump from functioning normally. To prevent possible water damage due to flooding, consult your dealer about installing a secondary sump pump, a DC backup sump pump, and/or a high water alarm. See the "Troubleshooting Chart" in this manual for information about common sump pump problems and remedies. For more information, see your dealer or call customer service at 1-888-782-7483.

1. Know the pump application, limitations, and potential hazards.
2. Disconnect the power before servicing.
3. Release all pressure within the system before servicing any component.
4. Drain all water from the system before servicing.
5. Secure the discharge line before starting the pump. An unsecured discharge line will whip, possibly causing personal injury and/or property damage.
6. Check the hoses for a weak or worn condition before each use. Make certain all connections are secure.
7. Periodically inspect the sump, pump and system components. Keep free of debris and foreign objects. Perform routine maintenance as required.
8. Provide a means of pressure relief for pumps whose discharge line can be shut-off or obstructed.
9. Personal Safety:
 - a. Wear safety glasses at all times when working with pumps.
 - b. Keep the work area clean, uncluttered and properly lighted – replace all unused tools and equipment.
 - c. Keep visitors at a safe distance from work area.
 - d. Make the workshop child-proof – with padlocks, master switches, and by removing starter keys.
10. When wiring an electrically driven pump, follow all electrical and safety codes that apply.
11. **This equipment is only for use on 115 volt (single phase) and is equipped with an approved 3-conductor cord and 3-prong, grounding-type plug.**

▲ WARNING **Electrical shock hazard. Can burn or kill.** To reduce risk of electric shock, pull plug before servicing. Pump is supplied with a grounding conductor and grounding-type attachment plug. Be sure it is connected only to a properly grounded grounding-type receptacle. Where a 2-prong wall receptacle is encountered, it must be replaced with a properly grounded 3-prong receptacle installed in accordance with codes and ordinances that apply.

This pump has not been investigated for use in swimming pool areas.
12. All wiring should be performed by a qualified electrician.
13. Make certain the power source conforms to the requirements of your equipment.
14. Protect the electrical cord from sharp objects, hot surfaces, oil, and chemicals. Avoid kinking the cord. Replace or repair damaged or worn cords immediately.
15. Do not touch an operating motor. Modern motors are designed to operate at high temperatures.

16. Do not handle the pump or pump motor with wet hands or when standing on wet or damp surface, or in water

▲ WARNING **Electrical shock hazard. Can burn or kill.** If your basement has water or moisture on floor, do not walk on wet area until all power has been turned off. If shut-off box is in basement, call electric company or hydro authority to shut-off service to house, or call your local fire department for instructions. Remove pump and repair or replace. Failure to follow this warning can result in fatal electrical shock.

17. Vent the sewage or septic tank according to the local codes.
18. Do not install the pump in any location classified as hazardous by the National Electric Code, ANSI/NFPA 70-1984 or the Canadian Electrical Code.

INSTALLATION

1. Install the pump in a sump pit with a minimum diameter of 14" (356mm). The sump depth should be 15" minimum (381mm). Construct the sump pit of tile, concrete, steel or plastic. Check the local codes for approved materials.
2. **NOTE:** When installing the vertical switch, the rod stop (Key No. 1F, page 4) must not be pushed up farther than the bottom nib on the float rod. Pushing it any farther up the rod will cause the switch to hang up on the pump discharge and will damage the pump.
3. The pump should not be installed on clay, earth or sand surfaces. Clean the sump pit of small stones and gravel which could clog the pump. Keep the pump inlet screen clear.
4. Install the pump in the pit so that the switch operating mechanism has maximum possible clearance.
5. Install the discharge plumbing. When using rigid pipe, use plastic pipe. Wrap the threads with PTFE pipe thread sealant tape. Screw the pipe into the pump hand tight +1 – 1-1/2 turns.

NOTICE: Do not use ordinary pipe joint compound on plastic pipe. Pipe joint compound can attack plastics and damage the pump.

6. **▲ CAUTION** **Risk of flooding.** If a flexible discharge hose is used, make sure the pump is secure in the sump to prevent movement. Failure to secure the pump may allow pump movement, switch interference and prevent the pump from starting or stopping.
7. To reduce motor noise and vibrations, a short length of rubber hose (e.g. radiator hose) can be connected into the discharge line near the pump using suitable clamps.
8. Install an in-line check valve to prevent backward flow through the pump when the pump shuts off.
9. Power Supply: The pump is designed for 115 V., 60 Hz., operation and requires a minimum 15 amp individual branch circuit (refer to Motor, Switch and Cord Specifications chart, Page 1). Both the pump and switch are supplied with 3-wire cord sets with grounding-type plugs. The switch plug is inserted directly into the outlet and the pump plug inserts into the opposite end of the switch plug.

▲ WARNING **Hazardous voltage. Can shock, burn or kill.** The pump should always be electrically grounded to a suitable electrical ground such as a grounded water pipe or a properly grounded metallic raceway, or ground wire system. Do not modify the cord or plug or cut off the round ground pin.

9. If the pump discharge line is exposed to an outside sub-freezing atmosphere, the portion of the line exposed must be installed so any water remaining in the pipe will drain to the outfall by gravity. Failure to do this can cause the water trapped in the discharge to freeze which could result in damage to the pump.
10. After the piping and check valve have been installed, the unit is ready for operation.
11. Check the operation by filling the sump with water and observing pump operation through one complete cycle.

CAUTION **Risk of Flooding.** Failure to make this operational check may lead to improper operation, premature failure, and flooding.

OPERATION / MAINTENANCE

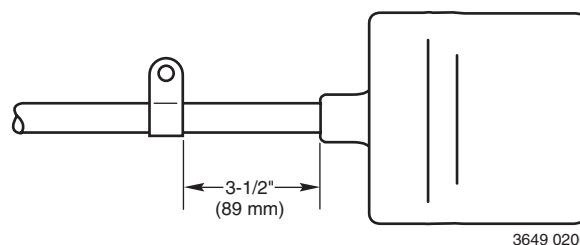
WARNING **Risk of electrical shock. Can burn or cause death.** Do not handle a pump or pump motor with wet hands or when standing on a wet or damp surface, or in water.

Before attempting to check why unit has stopped operating, disconnect power from unit.

WARNING **Risk of fire and explosion. Can cause severe injury, property damage or death.** Do not use in explosive atmospheres. Pump water only with this pump.

1. The shaft seal depends on water for lubrication and cooling. Do not operate the pump unless it is submerged in water as the seal may be damaged if allowed to run dry.
2. The motor is equipped with an automatic reset thermal protector. If the temperature in the motor should rise unduly, the switch will cut off all power before damage can be done to the motor. When the motor has cooled sufficiently, the switch will reset automatically and restart the motor. If the protector trips repeatedly, the pump should be removed and checked as to cause of difficulty. Low voltage, long extension cords, clogged impeller, very low head or lift, etc., could cause cycling.

3. The pump will not remove all water. If a manually operated pump is operating and suddenly no water comes out of the discharge hose, shut the unit off immediately. The water level is probably very low and the unit has broken prime.



3649 0200

Figure 1 – Float Switch Tether Length, Models ME40110T and ME40120T.

NOTICE: Do not change the tether length of the float switch. The float must be able to swing through its complete arc without interference.

AIRLOCKS

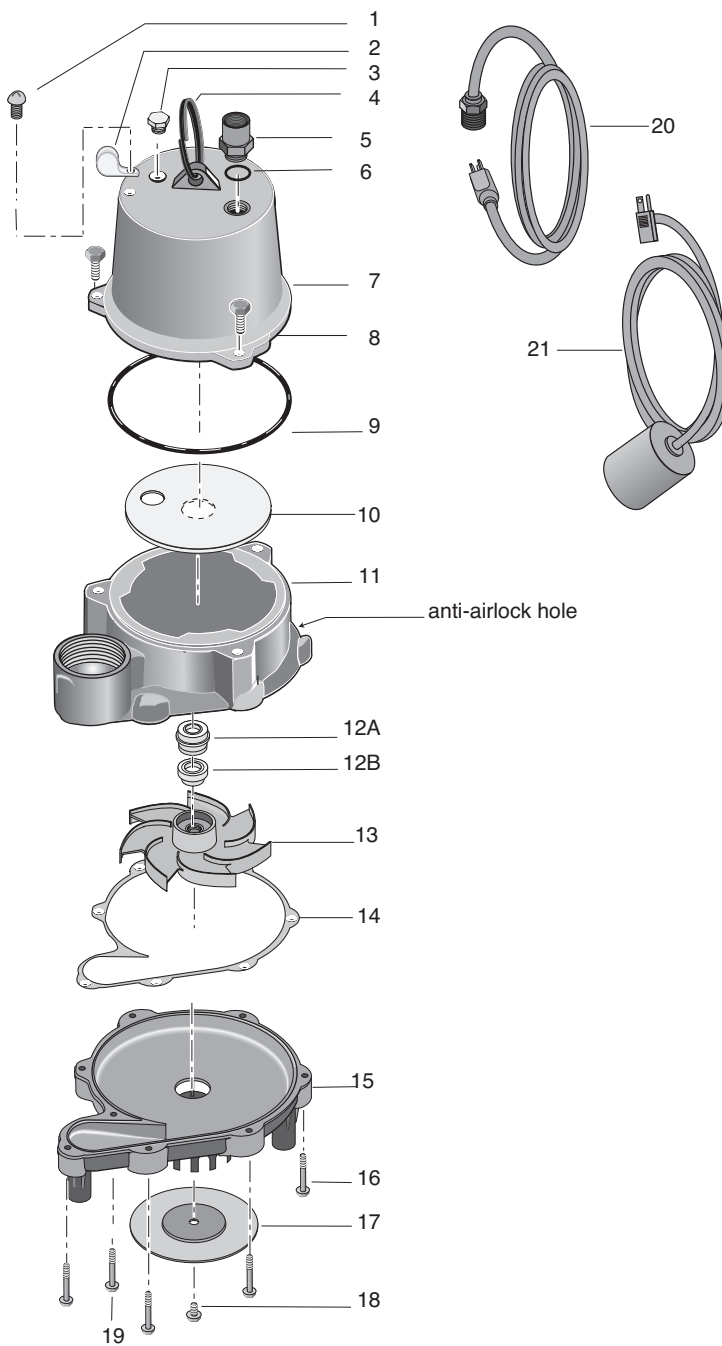
When a pump airlocks, it runs but does not move any water. An airlock will cause the pump to overheat and fail. This pump has a built in anti-airlock hole. See the exploded view on the repair parts page for the location of the hole. Leakage from the anti-airlock hole is normal.

If you suspect an airlock, unplug the pump, clean out the anti-airlock hole with a paper clip or a piece of wire, and restart the pump.

TROUBLESHOOTING CHART

| SYMPTOM | PROBABLE CAUSE(S) | CORRECTIVE ACTION |
|--|--|--|
| Pump won't start or run. | Blown fuse. Low line voltage. Defective motor. Defective float switch. Impeller. Float is obstructed. | If blown, replace with a fuse of proper size. If the voltage is under the recommended minimum, check the size of the wiring from the main switch on the property. If OK, contact power company or hydro authority. Replace the pump. Replace the float switch. If the impeller won't turn, remove the lower pump body and locate the source of the binding. Remove the obstruction. |
| Pump starts and stops too often. | Backflow of water from piping. Faulty float switch. | Install or replace the check-valve. Replace the float switch. |
| Pump won't shut off. | Defective float switch. Restricted discharge (obstacle in piping). Float obstructed. | Replace the float switch. Remove the pump and clean the pump and piping. Remove the obstruction. |
| Pump operates but delivers little or no water. | Low line voltage. Something is caught in impeller. Anti-airlock hole is plugged. | If the voltage is under the recommended minimum, check the size of the wiring from the main switch on the property. If OK, contact power company or hydro authority. Clean out the impeller. Turn off the pump, clean out the anti-airlock hole, and restart pump. |

ME40110M
ME40110T
ME40120M
ME40120T



REPLACEMENT PARTS LIST

| Key No. | Description | Qty. | ME40110T | ME40120T | ME40110M | ME40120M |
|---------|---|------|------------|------------|------------|------------|
| 1 | Screw, #8-1/2" self-tapping (†) | 1 | U30-539SS | U30-539SS | – | – |
| 2 | Switch Cord Clamp (†) | 1 | CC0030-13 | CC0030-13 | – | – |
| 3 | Oil Fill Plug | 1 | U78-941ZPV | U78-941ZPV | U78-941ZPV | U78-941ZPV |
| 4 | Ring Handle | 1 | U97-128 | U97-128 | U97-128 | U97-128 |
| 5 | Cord Connector | 1 | PS17-46P | PS17-46P | PS17-46P | PS17-46P |
| 6 | O-Ring | 1 | U9-370 | U9-370 | U9-370 | U9-370 |
| 7 | Motor Cover | 1 | PS18-149B | PS18-149B | – | PS18-149B |
| 8 | #10-32 x3/4", Capscrew | 3 | U30-482SS | U30-482SS | U30-482SS | U30-482SS |
| 9 | O-Ring | 1 | U9-339 | U9-339 | U9-339 | U9-339 |
| 10 | Insulating Disk | 1 | PS18-82 | PS18-82 | PS18-82 | PS18-82 |
| 11 | Motor / Upper Volute | 1 | * | * | * | * |
| 12A | Shaft Seal Stationary Head Assembly | 1 | U9-379A | U9-379A | U9-379A | U9-379A |
| 12B | Shaft Seal Rotating Mating Ring | 1 | U9-321A | U9-321A | U9-321A | U9-321A |
| 13 | Impeller | 1 | PS5-29P | PS5-29P | PS5-29P | PS5-29P |
| 14 | Gasket | 1 | PS20-21 | PS20-21 | PS20-21 | PS20-21 |
| 15 | Lower Volute | 1 | PS1-34P | PS1-34P | PS1-34P | PS1-34P |
| 16 | Lower Pump Body Screw #10-32x1" Hex Washer, self-tapping | 7 | U30-966SS | U30-966SS | U30-966SS | U30-966SS |
| 17 | Suction Plate*** | 1 | U43-142SS | U43-142SS | U43-142SS | U43-142SS |
| 18 | Screw, #6-1/4" pan head*** | 1 | U30-972SS | U30-972SS | U30-972SS | U30-972SS |
| 19 | Lower Pump Body Screw #10-32x1-1/8" Hex Washer, self-tapping | 1 | U30-967SS | U30-967SS | U30-967SS | U30-967SS |
| 20 | Powercord Assembly | 1 | See Chart | See Chart | See Chart | See Chart |
| 21 | Tethered Float Switch (†) | 1 | PS217-62 | PS217-64 | – | – |
| | Dielectric Oil All Models use .61 qts. | 1 | U197-8A | U197-8A | U197-8A | U197-8A |

* If the Motor fails replace the entire pump.
 (†) For use with Model Numbers ending in "T".

POWER CORD ASSEMBLY

| Pump Model Number | Part Number |
|-------------------|---------------|
| ME40110M | PW117-237-TSE |
| ME40110T | PW117-237-TSE |
| ME40120M | PW117-122-TSE |
| ME40120T | PW117-122-TSE |

Limited Warranty

Myers® warrants to the original consumer purchaser (“Purchaser” or “You”) of the products listed below, that they will be free from defects in material and workmanship for the Warranty Period shown below.

| Product | Warranty Period whichever occurs first: |
|---|---|
| Jet pumps, small centrifugal pumps, submersible pumps and related accessories | 12 months from date of original installation, or 18 months from date of manufacture |
| Fibrewound Tanks | 5 years from date of original installation |
| Steel Pressure Tanks | 5 years from date of original installation |
| Sump/Sewage/Effluent Products | 12 months from date of original installation, or 36 months from date of manufacture |
| Battery Backup Units MBSP-2, MBSP-2C | 12 months from date of original installation, or 18 months from date of manufacture |
| MBSP-3, MBSP-3C | 24 months from date of original installation, or 30 months from date of manufacture |
| Wastewater Solids Handling Pumps | 12 months from date of shipment from factory or 18 months from date of manufacture |

Our warranty applies only where such products are used in compliance with the requirements of the applicable product catalog and/or manuals. For additional information, please refer to the applicable standard limited warranty featured in the product manual.

Our warranty will not apply to any product that, in our sole judgement, has been subject to negligence, misapplication, improper installation, or improper maintenance. Without limiting the foregoing, operating a three phase motor with single phase power through a phase converter will void the warranty. Note also that three phase motors must be protected by three-leg, ambient compensated, extra-quick trip overload relays of the recommended size or the warranty is void.

Your only remedy, and MYERS's only duty, is that MYERS repair or replace defective products (at MYERS's choice). You must pay all labor and shipping charges associated with this warranty and must request warranty service through the installing dealer as soon as a problem is discovered. No request for service will be accepted if received after the Warranty Period has expired. This warranty is not transferable.

MYERS SHALL NOT BE LIABLE FOR ANY CONSEQUENTIAL, INCIDENTAL, OR CONTINGENT DAMAGES WHATSOEVER.

THE FOREGOING LIMITED WARRANTIES ARE EXCLUSIVE AND IN LIEU OF ALL OTHER EXPRESS AND IMPLIED WARRANTIES, INCLUDING BUT NOT LIMITED TO IMPLIED WARRANTIES OF MERCHANTABILITY AND FITNESS FOR A PARTICULAR PURPOSE. THE FOREGOING LIMITED WARRANTIES SHALL NOT EXTEND BEYOND THE DURATION PROVIDED HEREIN.

Some states do not allow the exclusion or limitation of incidental or consequential damages or limitations on the duration of an implied warranty, so the above limitations or exclusions may not apply to You. This warranty gives You specific legal rights and You may also have other rights which vary from state to state.

This Limited Warranty is effective April 1, 2014 and replaces all undated warranties and warranties dated before April 1, 2014.

F.E. MYERS
293 Wright Street, Delavan, WI 53115
Phone: 888-987-8677 • Fax: 800-426-9446 • www.femyers.com
In Canada: 490 Pinebush Road, Unit 4, Cambridge, Ontario N1T 0A5
Phone: 800-363-7867 • Fax: 888-606-5484

MYERS®

Pompes de puisard et d'effluents submersibles

MANUEL D'INSTALLATION, D'UTILISATION ET DE PIÈCES

INFORMATIONS SUR LA SÉCURITÉ

Lire attentivement et observer toutes les consignes de sécurité figurant dans ce manuel ou sur la pompe.

⚠ Ce symbole indique qu'il faut être prudent. Lorsqu'il apparaît sur la pompe ou dans ce manuel, rechercher une des mises en garde qui suivent, car elles indiquent un potentiel possible de blessures corporelles!

⚠ DANGER Avertit d'un danger qui **causera** des blessures corporelles graves, la mort ou des dommages matériels importants si on l'ignore.

⚠ AVERTISSEMENT Avertit d'un danger qui **peut** causer des blessures corporelles graves, la mort ou des dommages matériels importants si on l'ignore.

⚠ ATTENTION Avertit d'un danger qui **causera** ou qui **peut** causer des blessures légères ou des dommages matériels si on l'ignore.

Le mot **NOTA** indique des instructions spéciales et importantes n'ayant aucun rapport avec les dangers.

Avertissement relatif à la proposition 65 de la Californie

⚠ AVERTISSEMENT Ce produit et les accessoires connexes contiennent des produits chimiques reconnus par l'État de la Californie comme pouvant causer des cancers, des anomalies congénitales ou d'autres problèmes de reproduction.

DESCRIPTION

Ces pompes de puisard submersibles sont conçues pour les puisards de maisons résidentielles. Elles comportent un cordon électrique muni d'une fiche à 3 broches, dont une de mise à la terre. Le moteur à bague de déphasage est rempli d'huile et étanche pour fonctionner sans chauffer. Le palier supérieur et le roulement à billes inférieur de l'arbre du moteur n'ont jamais besoin d'être lubrifiés. Le moteur est protégé par un interrupteur thermique à réenclenchement automatique.

CARACTÉRISTIQUES

Courant d'alimentation requis 115 V, 60 Hz
 Fonctionnement du moteur Continu
 Plage de températures du liquide : 32 °F à 130 °F
 (0° à 54 °C)
 Circuit de dérivation individuel requis 15 A
 Adaptateur de refoulement 1 1/2 po NPT

RENDEMENTS

| Modèle | GAL./MIN (L/MIN) À HAUTEUR TOTALE DE REFOULEMENT EN PIEDS (m) | | | | |
|------------|---|-------------|--------------|--------------|---|
| | 5 (1,5m) | 10 (3m) | 15 (4,6m) | 20 (6,1m) | Pas de débit à la hauteur indiquée ci-dessous |
| | CAPACITÉ EN GALLONS (L) PAR MINUTE | | | | |
| Séries ME4 | 62 (235) | 53 (201) | 46 (174) | 38 (144) | 32 pi. (9.8m) |

CARACTÉRISTIQUES DU MOTEUR, DE L'INTERRUPTEUR ET DU CORDON ÉLECTRIQUE

| Numéro de modèle | Puissance du moteur (en HP) | Appel de courant à pleine charge | Circuit de dérivation individuel requis (A) | Longueur du cordon | *Réglage de l'interrupteur (en pouces [mm]) | |
|------------------|-----------------------------|----------------------------------|---|--------------------|---|------------|
| | | | | | En marche | À l'arrêt |
| ME40110M | 4/10 | 12,5 | 15 | 10 pi | – | – |
| ME40110T | 4/10 | 12,5 | 15 | 10 pi | 14 po (356) | 5 po (127) |
| ME40120M | 4/10 | 12,5 | 15 | 20 pi | – | – |
| ME40120T | 4/10 | 12,5 | 15 | 20 pi | 14 po (356) | 5 po (127) |

INFORMATIONS GÉNÉRALES SUR LA SÉCURITÉ

Si ces électropompes sont bien installées, bien entretenues et bien utilisées, elles assureront de nombreuses années de service sans entretien. Toutefois, des circonstances inhabituelles (interruption du courant d'alimentation, saletés ou débris dans le puisard, inondation dépassant la capacité des pompes, pannes électriques ou mécaniques des pompes, etc.) peuvent les empêcher de fonctionner normalement. Pour empêcher les dégâts que pourraient causer une inondation, s'adresser au détaillant sur la possibilité de poser soit une deuxième pompe de puisard soit une pompe de puisard de secours fonctionnant sur le courant continu ou une alarme de niveau élevé d'eau.

Se reporter au « Tableau de recherche de pannes » de ce manuel pour de plus amples renseignements concernant les problèmes courants des pompes de puisard et comment y remédier. Pour plus d'informations, s'adresser au détaillant ou appeler le Service à la clientèle au 1-888-782-7483.

1. Connaissez les utilisations, limitations et dangers potentiels que peut causer votre pompe.
2. Avant d'intervenir sur votre pompe, coupez le courant qui l'alimente.
3. Dissipez toute la pression du système avant d'intervenir sur un de ses composants.
4. Avant d'intervenir sur le système, videz toute l'eau qu'il contient.
5. Immobilisez la conduite de refoulement avant de démarrer la pompe. Une conduite de refoulement non immobilisée risque de fouetter et de causer des blessures corporelles ou des dommages matériels.
6. Avant chaque utilisation, assurez-vous que tous les tuyaux souples ne présentent aucun signe de faiblesse ou d'usure et que tous les raccords sont bien serrés.
7. Inspectez périodiquement le puisard, la pompe et les composants du système. Enlevez tous les débris et corps étrangers pouvant se trouver dans le puisard. Procédez à l'entretien périodique requis.
8. Prévoyez un moyen de dissiper la pression des pompes dont la conduite de refoulement risque d'être fermée ou obstruée.
9. Sécurité personnelle :
 - a. Toujours porter des lunettes de sécurité lorsqu'on intervient sur une pompe.
 - b. Garder la zone de travail propre, dégagée et bien éclairée; ranger tous les outils et tout l'équipement non utilisés.
 - c. Garder les visiteurs à une distance sécuritaire de la zone de travail.
 - d. Prendre des mesures de sécurité dans l'atelier pour protéger les enfants, en posant des cadenas, des disjoncteurs et en retirant les clés de démarrage.
10. Pour câbler une électropompe, observez tous les codes de l'électricité et de sécurité en vigueur.
11. **Cette pompe ne doit fonctionner que sur le courant monophasé de 115 volts. Elle comporte un cordon électrique muni d'une fiche approuvée à 3 broches dont une de mise à la terre.**

⚠ AVERTISSEMENT **Risque d'électrocution, de brûlures, voire de mort.** Pour réduire les risques d'électrocution, débranchez la fiche avant d'intervenir sur la pompe. Le cordon électrique de la pompe comporte un conducteur et une fiche à 3 broches dont une de mise à la terre. Assurez-vous de ne brancher cette fiche que dans une prise correctement mise à la terre.

Si seule une prise de courant à 2 trous est disponible, elle devra être remplacée par une prise à 3 trous correctement mise à la terre et installée selon les codes et règlements de la municipalité.

Cette pompe n'a pas été conçue pour être utilisée dans une piscine.

12. Tout le câblage doit être effectué par un électricien qualifié.
13. Assurez-vous que le courant d'alimentation est conforme à celui sur lequel doit fonctionner la pompe.
14. Protégez le cordon électrique des objets tranchants, des surfaces chaudes, de l'huile et des produits chimiques. Évitez de tordre le cordon électrique. Remplacez ou réparez immédiatement le cordon électrique s'il est endommagé ou usé.
15. Ne touchez pas à un moteur qui fonctionne. Les moteurs modernes sont conçus pour fonctionner à des températures élevées.

16. Ne touchez pas à la pompe ni à son moteur si vous avez les mains humides ou les pieds sur une surface humide ou dans l'eau.

⚠ AVERTISSEMENT **Risque d'électrocution. Risque de brûlures, voire de mort.** Si le plancher du sous-sol est humide ou mouillé, coupez le courant avant de marcher dessus. Si le coffret des disjoncteurs se trouve au sous-sol, appelez la compagnie d'électricité pour qu'elle coupe le courant, ou le personnel du service d'incendie pour obtenir les instructions à suivre. Déposez la pompe et réparez-la ou remplacez-la. Ne pas respecter cet avertissement peut entraîner la mort par électrocution.

17. Ventilez le bassin d'eaux d'égout ou la fosse septique conformément aux codes de la municipalité.
18. N'installez pas la pompe dans un endroit classé comme dangereux selon le National Electric Code, ANSI/NFPA 70-1984 ou le Code canadien de l'électricité.

INSTALLATION

1. Installez la pompe dans un puisard d'un diamètre minimal de 14 po (356 mm). La profondeur du puisard doit être d'au moins 15 po (381 mm). Le puisard doit être carrelé ou revêtu de béton, d'acier ou de plastique. Reportez-vous aux codes de la municipalité pour connaître les matériaux autorisés.
2. **NOTA** : Lorsque vous installez l'interrupteur vertical, la butée de sa tige (Réf. 1F, page 4), ne doit pas être relevée plus haut que l'ergot inférieur de la tige du flotteur, sinon, l'interrupteur restera accroché sur le refoulement de la pompe, ce qui endommagera la pompe.
3. La pompe ne doit pas être installée sur une surface en argile, en terre ou en sable. Nettoyez le puisard en enlevant les cailloux et les graviers qui risqueraient de boucher la pompe. Dégagez la crépine d'aspiration de toute obstruction.
4. Installez la pompe dans le puisard de façon que le mécanisme d'actionnement de l'interrupteur ait le plus grand dégagement possible.
5. Installez la tuyauterie de refoulement. Si vous utilisez des tuyaux rigides, utilisez des tuyaux en plastique. Entourez les filets avec du ruban en PTFE pour filetage de tuyaux. Vissez à la main le tuyau sur la pompe, puis serrez-le de 1 à 1 ½ tour de plus.
NOTA : Ne pas utiliser de pâte d'étanchéité pour joints sur les tuyaux en plastique, car elle risque d'attaquer le plastique et endommager la pompe.

⚠ ATTENTION **Risques d'inondation.** Si on utilise un tuyau de refoulement souple, s'assurer que la pompe est immobilisée dans le puisard pour qu'elle ne puisse pas se déplacer. Une pompe mal immobilisée peut se déplacer, gêner le fonctionnement de l'interrupteur et risque de ne pas démarrer ou de ne pas s'arrêter.

6. Pour réduire les bruits et vibrations du moteur, un petit morceau de tuyau en caoutchouc (par exemple, une durite de radiateur) peut être fixé à l'aide de colliers appropriés sur la conduite de refoulement, à proximité de la pompe.
7. Installez un clapet antiretour en ligne pour que l'eau ne retourne pas dans la pompe lorsqu'elle s'arrêtera.
8. Alimentation électrique : Cette pompe, qui est conçue pour fonctionner sur le courant alternatif de 115 V, 60 Hz, doit être branchée sur un circuit de dérivation séparé de 15 A (reportez-vous au Tableau des caractéristiques du moteur, de l'interrupteur et du cordon électrique de la page 1). La pompe et l'interrupteur sont livrés avec un cordon électrique à 3 conducteurs muni d'une fiche à 3 broches dont une de mise à la terre. La fiche de l'interrupteur doit être directement branchée dans une prise de courant et celle de la pompe dans l'extrémité opposée de la fiche de l'interrupteur.

⚠ AVERTISSEMENT **Tension dangereuse. Risque d'électrocution, de brûlures, voire de mort.** La pompe doit toujours être mise à la terre sur une mise à la terre adéquate, comme une conduite d'eau, un chemin de câbles ou un réseau de prises de terre correctement reliés à la terre. Ne pas modifier le cordon électrique ni sa fiche et ne pas couper la broche ronde de mise à la terre de la fiche.

9. Si une partie de la conduite de refoulement de la pompe est exposée à des températures extérieures inférieures au point de congélation, l'installer de façon qu'elle puisse se vidanger par gravité, sinon l'eau restant dans la conduite risque de geler et d'endommager la pompe.
10. Après avoir installé toutes les conduites et le clapet antiretour, la pompe est prête à fonctionner.
11. Vérifiez son fonctionnement en remplissant le puisard d'eau et en observant le fonctionnement de la pompe sur un cycle complet.

⚠ ATTENTION Risques d'inondation. Ne pas procéder à cette vérification fonctionnelle risque de causer un mauvais fonctionnement ou une panne prématurée de la pompe et une inondation.

UTILISATION ET ENTRETIEN

⚠ AVERTISSEMENT Risque d'électrocution pouvant causer des brûlures, voire la mort. Ne pas manipuler la pompe ni son moteur si on a les mains humides ou les pieds dans l'eau ou sur une surface humide.

Avant de vérifier pourquoi la pompe a cessé de fonctionner, toujours couper le courant qui l'alimente.

⚠ AVERTISSEMENT Risque d'incendie et d'explosion pouvant causer des dommages matériels et des blessures graves, voire la mort. Ne pas utiliser cette pompe dans des atmosphères explosives. Ne pomper que de l'eau avec cette pompe.

1. Le joint de l'arbre a besoin d'eau pour sa lubrification et son refroidissement. Ne pas utiliser la pompe si elle n'est pas immergée dans l'eau, sinon le joint pourra être endommagé.
2. Le moteur est équipé d'un interrupteur thermique à réenclenchement automatique. Si la température du moteur augmente anormalement, l'interrupteur coupera l'alimentation électrique avant que le moteur soit endommagé. Lorsque le moteur aura suffisamment refroidi, l'interrupteur se réenclenchera automatiquement et le moteur redémarrera. Si cet interrupteur se déclenche de façon répétitive, déposer la pompe pour déterminer la cause

du problème. Une tension basse, une rallonge trop longue, un impulseur colmaté, une hauteur d'élévation ou de refoulement très basse, etc. peuvent causer le déclenchement répétilif de l'interrupteur.

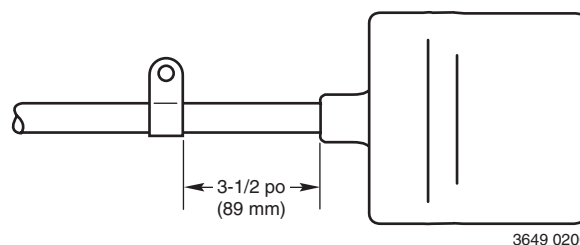


Figure 1 – Longueur du cordon de l'interrupteur à flotteur, modèles ME40110T et ME40120T.

3. La pompe ne videra pas toute l'eau du puisard. Si on la fait fonctionner manuellement et que soudainement l'eau ne coule plus par le tuyau de refoulement, l'arrêter immédiatement. Le niveau d'eau est probablement très bas et la pompe est désamorçée.

REMARQUE : Ne pas modifier la longueur du câble de l'interrupteur du flotteur. Le flotteur doit pouvoir se déplacer sur un arc complet sans être gêné.

POCHES D'AIR

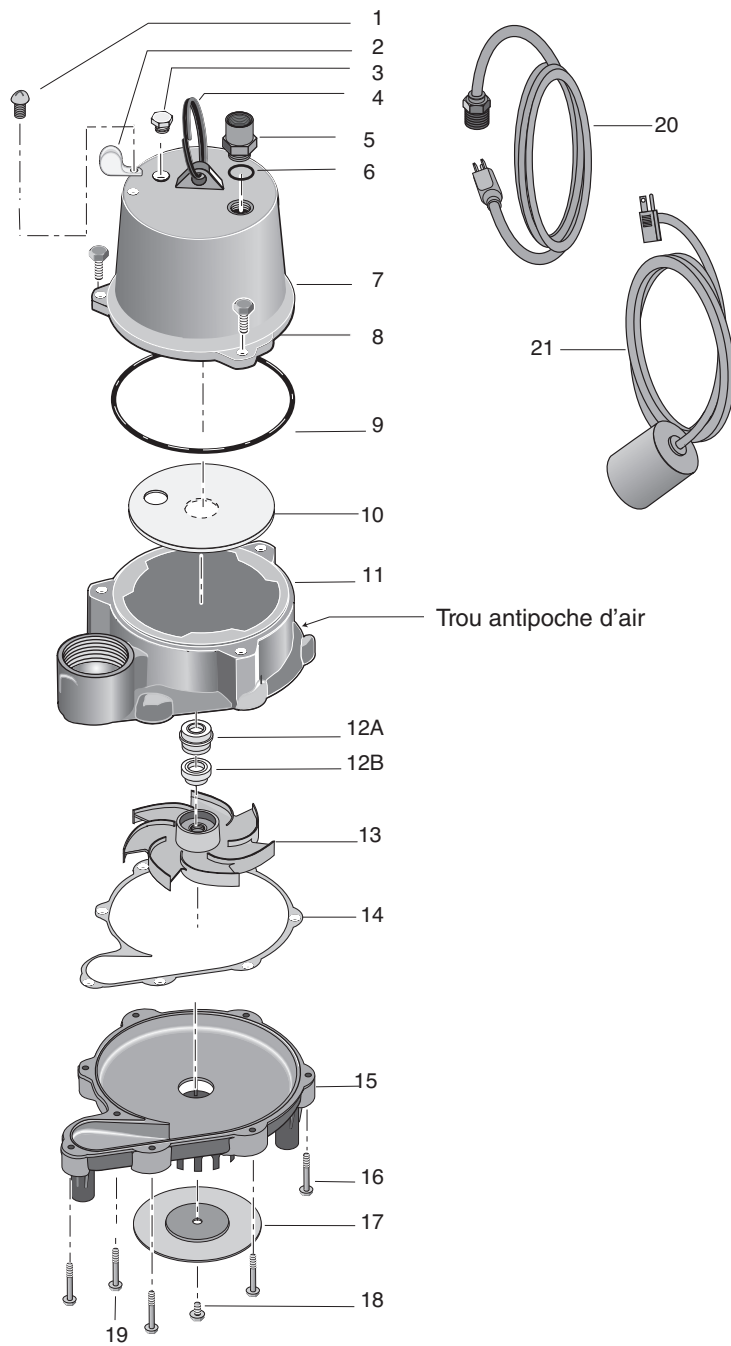
Si une poche d'air se forme dans la pompe, la pompe fonctionnera, mais ne pompera pas d'eau. Une poche d'air causera une surchauffe de la pompe et elle tombera en panne. Cette pompe comporte un trou antipoche d'air intégré. Voir la vue éclatée à la page des pièces de rechange pour l'emplacement du trou. Il est normal que de l'eau suinte du trou antipoche d'air.

Si vous soupçonnez la présence d'une poche d'air, nettoyez le trou antipoche d'air avec un trombone ou un morceau de fil de fer, puis redémarrez la pompe.

TABLEAU DE RECHERCHE DES PANNES

| SYMPTÔMES | CAUSE(S) PROBABLE(S) | MESURES CORRECTIVES |
|---|--|--|
| La pompe ne démarre pas ou ne fonctionne pas. | Fusible grillé. Tension basse. Moteur défectueux. Interrupteur à flotteur défectueux. Impulseur. Le flotteur est obstrué. | Si le fusible est grillé, le remplacer par un fusible de calibre approprié. Si la tension est inférieure à la tension minimale recommandée, vérifier le calibre du câblage côté interrupteur principal. Si le câblage est bon, communiquer avec la compagnie d'électricité. Remplacer la pompe. Remplacer l'interrupteur à flotteur. Si l'impulseur ne tourne pas, déposer le corps inférieur de la pompe et localiser la cause du grippage. Retirer l'obstruction. |
| La pompe démarre et s'arrête trop souvent. | Circulation à contre-courant de l'eau dans la tuyauterie. Interrupteur à flotteur défectueux. | Installer un clapet antiretour ou le remplacer. Remplacer l'interrupteur à flotteur. |
| La pompe ne s'arrête pas. | Interrupteur à flotteur défectueux. Refoulement limité (obstruction dans le tuyau). Flotteur obstrué. | Remplacer l'interrupteur à flotteur. Déposer la pompe. La nettoyer ainsi que les tuyaux. Retirer l'obstruction. |
| La pompe fonctionne, mais débite très peu ou pas du tout. | Tension basse. Quelque chose est coincé dans l'impulseur. Le trou antipoche d'air est bouché. | Si la tension est inférieure à la tension minimale recommandée, vérifier le calibre du câblage côté interrupteur principal. Si le câblage est bon, communiquer avec la compagnie d'électricité. Nettoyer l'impulseur. Arrêter la pompe. Nettoyer le trou antipoche d'air et redémarrer la pompe. |

ME40110M
ME40110T
ME40120M
ME40120T



LISTE DES PIÈCES DE RECHANGE

| Réf. | Désignation | Qté. | ME40110T | ME40120T | ME40110M | ME40120M |
|------|--|------|-----------------|-----------------|-----------------|-----------------|
| 1 | Vis autotaraudeuse n° 8 de 1/2 po (†) | 1 | U30-539SS | U30-539SS | – | – |
| 2 | Collier du cordon de l'interrupteur (†) | 1 | CC0030-13 | CC0030-13 | – | – |
| 3 | Bouchon de remplissage d'huile | 1 | U78-941ZPV | U78-941ZPV | U78-941ZPV | U78-941ZPV |
| 4 | Poignée en forme d'anneau | 1 | U97-128 | U97-128 | U97-128 | U97-128 |
| 5 | Connecteur du cordon | 1 | PS17-46P | PS17-46P | PS17-46P | PS17-46P |
| 6 | Joint torique | 1 | U9-370 | U9-370 | U9-370 | U9-370 |
| 7 | Couvercle du moteur | 1 | PS18-149B | PS18-149B | – | PS18-149B |
| 8 | Vis d'assemblage n° 10 de 32 x 3/4 po | 3 | U30-482SS | U30-482SS | U30-482SS | U30-482SS |
| 9 | Joint torique | 1 | U9-339 | U9-339 | U9-339 | U9-339 |
| 10 | Disque isolant | 1 | PS18-82 | PS18-82 | PS18-82 | PS18-82 |
| 11 | Moteur et volute supérieure | 1 | * | * | * | * |
| 12A | Tête fixe du joint d'arbre | 1 | U9-379A | U9-379A | U9-379A | U9-379A |
| 12B | Bague d'appui rotative du joint d'arbre | 1 | U9-321A | U9-321A | U9-321A | U9-321A |
| 13 | Impulseur | 1 | PS5-29P | PS5-29P | PS5-29P | PS5-29P |
| 14 | Joint | 1 | PS20-21 | PS20-21 | PS20-21 | PS20-21 |
| 15 | Volute inférieure | 1 | PS1-34P | PS1-34P | PS1-34P | PS1-34P |
| 16 | Vis du corps inférieur de la pompe n° 10 de 32 x 1 po, à tête hexagonale, autotaraudeuse | 7 | U30-966SS | U30-966SS | U30-966SS | U30-966SS |
| 17 | Plaque d'aspiration*** | 1 | U43-142SS | U43-142SS | U43-142SS | U43-142SS |
| 18 | Vis à tête cylindrique n° 6 de ¼ po*** | 1 | U30-972SS | U30-972SS | U30-972SS | U30-972SS |
| 19 | Vis du corps inférieur de la pompe n° 10 de 32 x 1 1/8 po, à tête hexagonale, autotaraudeuse | 1 | U30-967SS | U30-967SS | U30-967SS | U30-967SS |
| 20 | Cordon d'alimentation | 1 | Voir le Tableau | Voir le Tableau | Voir le Tableau | Voir le Tableau |
| 21 | Interrupteur à flotteur à cordon (†) | 1 | PS217-62 | PS217-64 | – | – |
| | Huile diélectrique : 6 pintes doivent être utilisées dans tous les moteurs. | 1 | U197-8A | U197-8A | U197-8A | U197-8A |

* Si le moteur tombe en panne, remplacer la pompe au complet.

(†) À utiliser avec les numéros de modèle se terminant par « T ».

CORDON D'ALIMENTATION

| Numéros de modèle de pompe | Numéros de pièce |
|----------------------------|------------------|
| ME40110M | PW117-237-TSE |
| ME40110T | PW117-237-TSE |
| ME40120M | PW117-122-TSE |
| ME40120T | PW117-122-TSE |

Garantie limitée :

Myers® garantit à l'acheteur initial (« l'acheteur » ou « vous ») des produits figurant ci-dessous qu'ils seront exempts de tout défaut de matériel et de fabrication pour la période de garantie indiquée ci-dessous.

| Produit | Période de garantie selon la première éventualité : |
|--|--|
| Pompes à éjecteur, petites pompes centrifuges, pompes submersibles et accessoires connexes | 12 mois à partir de la date de première installation ou 18 mois à partir de la date de fabrication |
| Réservoirs en fibre enroulée | 5 ans à partir de la date de première installation |
| Réservoirs sous pression en acier | 5 ans à partir de la date de première installation |
| Produits pour puisard/eaux usées/effluents | 12 mois à partir de la date de première installation ou 36 mois à partir de la date de fabrication |
| Unités de batterie de secours | |
| MBSP-2, MBSP-2C | 12 mois à partir de la date de première installation ou 18 mois à partir de la date de fabrication |
| MBSP-3, MBSP-3C | 24 mois à partir de la date de première installation ou 30 mois à partir de la date de fabrication |
| Pompes de traitement des matières solides des eaux usées | 12 mois à partir de la date d'expédition de l'usine ou 18 mois à partir de la date de fabrication |

Notre garantie s'applique uniquement quand ces produits sont utilisés conformément aux exigences du catalogue et/ou des manuels des produits concernés. Pour plus d'information, consultez la garantie limitée standard applicable dans le manuel du produit.

Notre garantie ne s'applique pas aux produits qui, à notre seul avis, ont fait l'objet de négligence, d'une mauvaise utilisation, d'une mauvaise installation ou d'un manque d'entretien adéquat. Sans aucune limitation des présentes, l'utilisation d'un moteur triphasé sur un courant monophasé par l'intermédiaire d'un déphaseur annulera la garantie. Il faut également noter que les moteurs triphasés doivent être protégés par un relais de surcharge tripolaire thermocompensé à déclenchement extrêmement rapide du calibre recommandé, sinon la garantie sera annulée.

Votre seul recours et la seule responsabilité de MYERS sont que MYERS répare ou remplace les produits défectueux (au choix de MYERS). Vous vous engagez à payer tous les frais de main-d'œuvre et d'expédition du produit couvert par cette garantie et de vous adresser au concessionnaire-installateur dès qu'un problème est découvert pour obtenir un service sous garantie. Aucune demande de service ne sera acceptée après l'expiration de la période de garantie. Cette garantie n'est pas transférable.

MYERS NE SERA TENUE RESPONSABLE D'AUCUN DOMMAGE INDIRECT, ACCIDENTEL OU FORTUIT, QUEL QU'IL SOIT.

LES GARANTIES LIMITÉES SUSMENTIONNÉES SONT EXCLUSIVES ET REMPLACENT TOUTES LES AUTRES GARANTIES EXPRESSES ET TACITES, Y COMPRIS, MAIS SANS S'Y LIMITER, LES GARANTIES TACITES DE QUALITÉ MARCHANDE ET D'ADAPTATION À UN USAGE PARTICULIER. LES GARANTIES LIMITÉES SUSMENTIONNÉES NE DOIVENT PAS ÊTRE PROLONGÉES AU-DELÀ DE LA DURÉE PRÉVUE AUX PRÉSENTES.

Certaines provinces n'autorisent pas d'exclure ou de limiter les dommages fortuits ou indirects ou de limiter la durée d'une garantie implicite; il se peut donc que les limitations ou exclusions ci-dessus ne s'appliquent pas à votre cas. La présente garantie vous donne des droits juridiques spécifiques et vous pouvez en avoir d'autres qui varient d'une province à l'autre.

Cette garantie limitée entre en vigueur le 1er avril 2014 et remplace toutes les garanties non datées et les garanties datées avant le 1er avril 2014

F.E. MYERS

293 Wright Street, Delavan, WI 53115

Téléphone : 888-987-8677 Télécopieur : 800-426-9446 • www.femyers.com

Au Canada : 490 chemin Pinebush, unité 4, Cambridge (Ontario) N1T 0A5

Téléphone : 800-387-4386 Télécopieur : 888-606-5484

MYERS®

Bombas sumergible de sumidero/efluente

MANUAL DE INSTALACIÓN, OPERACIÓN Y REPUESTOS

INFORMACIÓN SOBRE LA SEGURIDAD

Es importante que lea y observe todas las instrucciones de seguridad que aparezcan en este manual o en la bomba.

! Este es un símbolo de alerta sobre la seguridad. Cuando vea este símbolo en su bomba o en este manual, busque para ver si hay alguna de las siguientes palabras de señal y esté alerta a la posibilidad de lesiones personales.

▲ PELIGRO Advierte sobre peligros que ocasionarán lesiones personales graves, muerte o daños considerables a la propiedad si se les ignora.

▲ ADVERTENCIA Advierte sobre peligros que pueden ocasionar lesiones personales graves, muerte o daños considerables a la propiedad si se ignoran.

▲ PRECAUCIÓN Advierte sobre peligros que ocasionarán o pueden ocasionar lesiones personales o daños a la propiedad menores si se ignoran.

La palabra **AVISO** indica instrucciones especiales que son importantes pero que no están relacionadas con los peligros.

Advertencia de la Proposición 65 de California

▲ ADVERTENCIA Este producto y accesorios relacionados contienen sustancias químicas reconocidas en el Estado de California como causantes de cáncer, malformaciones congénitas y otros daños al sistema reproductivo.

DESCRIPCIÓN

Estas Bombas Sumergible de Sumidero ha sido diseñada para sumideros domésticos. La unidad viene equipada con un cordón de corriente de 3 puntas, de tipo conexión a tierra. El motor de polos protegidos está lleno de aceite y sellado para funcionamiento más frío. Los cojinetes de bolas de la camisa superior/inferior en el eje del motor nunca necesitan lubricación. Con protección térmica de reposición automática.

ESPECIFICACIONES

Suministro de corriente requerido..... 115V, 60 Hz
 Servicio del motor..... Continuo
 Gama de temp. del líquido.....32° F a 130° F (0° - 54° C)
 Requiere un ramal individual 15 amperios
 Accesorios de descarga (Serie DC y EC):..... NPT de 1-1/2"

RENDIMIENTO

| GPM (LPM) A ALTURA TOTAL EN PIES (m) | | | | | |
|--------------------------------------|-------------|-------------|--------------|--------------|--|
| Modelo | 5 (1,5m) | 10 (3m) | 15 (4,6m) | 20 (6,1m) | No hay flujo a las alturas siguientes: |
| Capacidad en galones (litros)/minuto | | | | | |
| Serie ME4 | 62 (235) | 53 (201) | 46 (174) | 38 (144) | 32 ft. (9,8m) |

ESPECIFICACIONES DEL MOTOR, CONMUTADOR Y CORDÓN

| Número del modelo | Motor – CV | Carga total del motor – amps | Requiere un ramal individual (amperios) | Largo del cordón | *Graduación del conmutador en pulgadas (mm) | |
|-------------------|------------|------------------------------|---|------------------|---|----------|
| | | | | | Encendido | Apagado |
| ME40110M | 4/10 | 12,5 | 15 | 10' | – | – |
| ME40110T | 4/10 | 12,5 | 15 | 10' | 14" (356) | 5" (127) |
| ME40120M | 4/10 | 12,5 | 15 | 20' | – | – |
| ME40120T | 4/10 | 12,5 | 15 | 20' | 14" (356) | 5" (127) |

INFORMACIÓN GENERAL SOBRE LA SEGURIDAD

Las bombas de sumidero con accionamiento eléctrico, generalmente brindan muchos años de servicio sin problemas cuando se las instala, mantiene y emplea correctamente. Sin embargo, circunstancias inusuales (como la interrupción de la corriente hacia la bomba, suciedad/escombros en el sumidero, inundación que supera la capacidad de la bomba, fallas eléctricas o mecánicas en la bomba, etc.) pueden evitar que la bomba funcione normalmente. Para evitar posibles daños causados por el agua y debidos a inundaciones, consulte con su representante de ventas sobre la posibilidad de instalar una bomba secundaria de sumidero, una bomba de reserva de CA para sumidero, y/o una alarma de nivel alto de agua. Consulte la "Tabla de localización de fallas" en este manual para obtener información sobre los problemas comunes con bombas de sumidero y sus soluciones. Para mayor información, consulte con su representante de ventas o llame al departamento de servicio al cliente, marcando 1-888-782-7483.

1. Infórmese sobre la aplicación, limitaciones y posibles riesgos de la bomba.
2. Desconecte la energía eléctrica antes de efectuar reparaciones.
3. Alivie toda la presión dentro del sistema antes de reparar cualquier componente.
4. Drene toda el agua del sistema antes de efectuar reparaciones.
5. Asegure bien la tubería de descarga antes de poner en marcha la bomba. Una tubería de descarga que no esté bien segura puede moverse y causar lesiones personales y/o daños materiales.
6. Antes de cada uso, verifique si las mangueras están débiles o gastadas, asegurándose de que todas las conexiones estén firmes.
7. Inspeccione periódicamente el sumidero, la bomba y los componentes del sistema. Manténgalos limpios de basuras y objetos foráneos. Realice el mantenimiento de rutina según sea necesario.
8. Provea un medio de alivio de la presión para aquellas bombas cuya tubería de descarga pueda bloquearse u obstruirse.
9. Seguridad Personal :
 - a. Use lentes protectores en todo momento cuando trabaje con la bomba.
 - b. Mantenga la zona de trabajo limpia, despejada y debidamente iluminada - guarde todas herramientas y el equipo que no se use.
 - c. Mantenga a los visitantes a una distancia segura de la zona de trabajo.
 - d. Asegúrese de que su taller sea a prueba de niños - con candados, conmutadores maestros y sacando las llaves del arrancador.
10. Cuando instale el cableado de una bomba accionada eléctricamente, observe todos los códigos eléctricos y de seguridad que correspondan.
11. **Esta bomba se puede usar solamente con corriente de 115 voltios (monofásica) y está equipada con un cordón aprobado de 3 conductores y 3 clavijas, de tipo con conexión a tierra.**

⚠ ADVERTENCIA **Riesgo de choque eléctrico. Puede causar quemaduras o muerte.** Para reducir el riesgo de choque eléctrico, desenchufe la bomba antes de repararla. La bomba es suministrada con un conductor de puesta a tierra y un enchufe de tipo con conexión a tierra. Asegúrese de que se conecte solamente a un tomacorriente puesto a tierra, de tipo con conexión a tierra. Si el tomacorriente mural es del tipo para 2 clavijas, éste debe ser reemplazado por un tomacorriente de 3 clavijas e instalado de acuerdo con los códigos y reglamentos que correspondan. No se ha comprobado aún si esta bomba pueda ser usada en albercas.
12. Todo el cableado debe ser efectuado por un electricista certificado.
13. Asegúrese de que la fuente de alimentación cumpla con los requisitos de su equipo.
14. Proteja el cordón eléctrico contra objetos afilados, superficies calientes, aceite y sustancias químicas. Evite que se enrede. Reemplace o repare inmediatamente un cordón que esté dañado o gastado.
15. No toque un motor cuando esté funcionando. Los motores modernos están diseñados para funcionar a temperaturas altas.

16. No manipule la bomba ni el motor de la bomba con las manos mojadas o cuando esté parado en suelo húmedo o mojado, o en el agua.

⚠ ADVERTENCIA **Riesgo de choque eléctrico. Puede causar quemaduras o muerte.** Si su sótano tiene agua o humedad en el piso, no camine en el lugar mojado hasta que no haya desactivado toda fuente de corriente eléctrica. Si la llave de paso está en el sótano, llame a la compañía de electricidad o de energía para cortar el servicio a su casa, o llame al departamento de bomberos de su localidad para solicitar instrucciones. Saque la bomba y repárela o reemplácela. El incumplimiento de esta advertencia puede resultar en un choque eléctrico mortal.

17. Ventile el tanque cloacal o séptico según los códigos locales.
18. No instale la bomba en ningún lugar clasificado como peligroso por el Código Eléctrico Nacional, ANSI/NFPA 70-1984 o el Código Eléctrico Canadiense.

INSTALACIÓN

1. Instale la bomba en el foso del sumidero con un diámetro mínimo de 14" (356 mm). La profundidad del sumidero debe ser de 15" (381 mm). Construya el foso del sumidero de baldosa, hormigón, acero o plástico. Consulte todos los códigos locales con respecto a los materiales que hayan recibido el visto bueno.
 2. **NOTA:** Cuando instale el conmutador vertical, no empuje el tope de la barra (Clave No. 1F, página 4) más arriba de la punta inferior en la barra del flotador. Si se empuja más arriba por la barra, el conmutador quedará colgado en la descarga de la bomba y la dañará.
 3. La bomba no se debe instalar sobre superficies de barro, tierra o arena. Limpie toda piedrita o gravilla que se encuentre el foso del sumidero y que pueda obstruir la bomba. Mantenga la malla de admisión de la bomba limpia y despejada.
 4. Instale la bomba en el foso de manera que el mecanismo de operación del conmutador tenga el máximo posible de luz (espacio libre).
 5. Instale la tubería de descarga. Cuando use tubería rígida, use tubería que sea de plástico. Envuelva las roscas con cinta selladora de PTFE para roscas de tubería. Atornille a mano la tubería en la bomba, +1 – 1-1/2 vuelta.

AVISO: No use un compuesto común para juntas de tuberías en una tubería de plástico. El compuesto para juntas de tuberías puede atacar al plástico y perjudicar la bomba.
- ⚠ PRECAUCIÓN** **Riesgo de inundación.** Si se usa una manguera de descarga flexible, asegúrese de que la bomba esté bien inmovilizada para que no pueda moverse dentro del sumidero. Si la bomba no está bien firme puede moverse y causar interferencia con el conmutador, impidiendo que la bomba se ponga en marcha o se detenga.
6. Para reducir el ruido y las vibraciones del motor, se puede conectar una manguera corta de caucho (por ej. manguera de radiador) en la línea de descarga, cerca de la bomba, usando las abrazaderas adecuadas.
 7. Instale una válvula de retención en línea para evitar el retroflujo a través de la bomba cuando ésta se apague.
 8. Fuente de Alimentación: La bomba está diseñada para funcionar con corriente de 115 V., 60 Hz. y requiere un ramal individual mínimo de 15 amps. (Consulte la tabla de Especificaciones del motor, conmutador y cordón, en la página 1). Tanto la bomba como el conmutador vienen con juegos de cordones de 3 conductores con enchufes del tipo con conexión a tierra. El enchufe del conmutador se enchufa directamente en el tomacorriente y el enchufe de la bomba se introduce en el extremo opuesto del enchufe del conmutador.

⚠ ADVERTENCIA **Tension peligrosa. Puede causar choque, quemaduras o muerte.** La bomba siempre debe estar puesta a tierra por medio de una conexión eléctrica a tierra adecuada como una tubería de agua puesta a tierra, una canalización metálica debidamente puesta a tierra, o un sistema de cableado a tierra. No modifique el cordón ni el enchufe, ni corte la clavija redonda de conexión a tierra.

9. Si la línea de descarga de la bomba está expuesta a la intemperie con temperaturas debajo del punto de congelamiento, la porción de la línea que quede expuesta, deberá ser instalada de manera que el agua que permanezca en la tubería se desague hacia la salida por gravedad. Si se ignora esta precaución, existe el riesgo de que el agua que quede atrapada en la descarga se congele y dañe la bomba.
10. Después de que se haya instalado la tubería y la válvula de retención, la bomba estará lista para su funcionamiento.
11. Verifique el funcionamiento de la bomba, llenando el sumidero con agua y haciendo funcionar la bomba a través de un ciclo completo.

⚠ PRECAUCIÓN **Riesgo de inundación.** El incumplimiento de esta verificación del funcionamiento puede resultar en un funcionamiento inadecuado, en una falla prematura y en inundaciones.

OPERACIÓN/MANTENIMIENTO

⚠ ADVERTENCIA **Riesgo de choque eléctrico. Puede causar quemaduras o muerte.** No manipulee la bomba ni el motor de la bomba con manos mojadas o cuando esté parado sobre una superficie mojada o húmeda, o en agua.

Antes de tratar de verificar la razón por la cual la unidad ha dejado de funcionar, desconecte la corriente.

⚠ ADVERTENCIA **Riesgo de incendio o de explosión. Puede causar lesiones graves, daños materiales o muerte.** No se debe usar en atmósferas explosivas. Esta bomba se debe utilizar solamente para bombear agua.

1. El sello del eje depende del agua para su lubricación y refrigeración. No opere la bomba a menos que se encuentre en agua, ya que el sello se perjudicará si marcha en seco.
2. El motor viene equipado con un protector térmico de reposición automática. Si la temperatura en el motor se eleva indebidamente, el conmutador cortará la corriente antes de que el motor se pueda perjudicar. Cuando el motor se haya enfriado lo suficiente, el conmutador se reposicionará automáticamente y volverá a arrancar el motor. Si el protector se dispara repetidamente, será necesario sacar la bomba y verificar la causa de este problema. Una tensión baja, cordones largos de extensión, un impulsor tapado, muy poca altura o elevación, etc. pueden ocasionar estos ciclos.

3. La bomba no extrae toda el agua. Si una bomba operada manualmente está funcionando y de repente no sale agua de la manguera de descarga, apague la unidad inmediatamente. El nivel del agua es probablemente muy bajo y la unidad no está cebando.

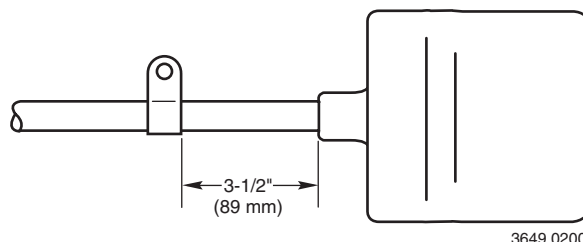


Figura 1 – Largo de la traba del conmutador de flotación: Modelos ME40110T y ME40120T.

AVISO: No cambie el largo de la traba del conmutador de flotación. El flotador debe poder columpiarse en su arco completo sin interferir.

BOLSAS DE AIRE (“AIRLOCK”)

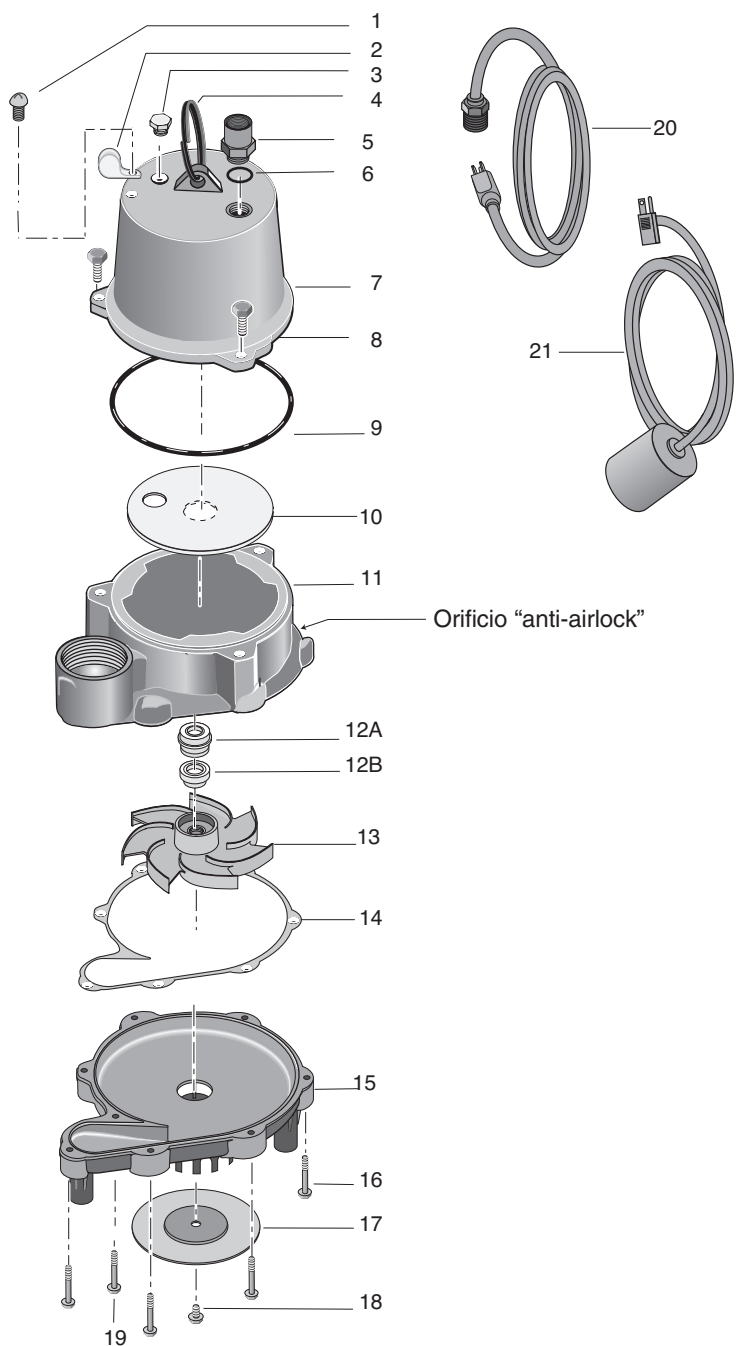
Cuando el flujo de la bomba disminuye o se para debido a bolsas de aire, la bomba marcha pero no mueve agua. Una bolsa de aire puede hacer que la bomba se recaliente y falle. Esta bomba posee un orificio “anti-airlock” para eliminar las bolsas de aire, (ver la página 4). Fugas del orificio “anti-airlock” está normal.

Si usted sospecha que hay una bolsa de aire, desenchufe la bomba, limpie el orificio “anti-airlock” con un clip de papel o un trozo de alambre y vuelva a activarla.

TABLA DE LOCALIZACIÓN DE FALLAS

| SÍNTOMA | CAUSA(S) PROBABLE(S) | ACCIÓN CORRECTIVA |
|---|--|--|
| La bomba no arranca o no marcha. | Fusible quemado. Baja tensión de línea. Motor defectuoso. Conmutador de flotación defectuoso. Impulsor. Flotador obstruido. | Si está quemado, cámbielo por un fusible del tamaño adecuado. Si la tensión se encuentra por debajo del mínimo recomendado, verifique el tamaño de los cables desde el conmutador principal en la propiedad. Si es el correcto, comuníquese con la empresa de energía o de suministro de corriente eléctrica. Cambie la bomba. Cambie el conmutador de flotador. Si el impulsor no gira, saque el cuerpo inferior de la bomba y ubique la fuente de atascamiento. Elimine la obstrucción. |
| La bomba arranca y se detiene con demasiada frecuencia. | Retroflujo de agua desde la tubería. Conmutador de flotación defectuoso. | Instale o cambie la válvula de retención. Cambie el conmutador de flotador |
| La bomba no se apaga. | Conmutador de flotación defectuoso. Descarga limitada (obstáculo en la tubería). Flotador obstruido. | Cambie el conmutador de flotador. Saque la bomba y limpie la bomba y la tubería. Elimine la obstrucción. |
| La bomba funciona pero entrega poco o nada de agua. | Baja tensión de línea. Hay algo atrapado en el impulsor. Bolsa de aire (disminución de flujo) | Si la tensión se encuentra por debajo del mínimo recomendado, verifique el tamaño de los cables desde el conmutador principal en la propiedad. Si es el correcto, comuníquese con la empresa de energía o de suministro de corriente eléctrica. Limpie el impulsor. Apague la bomba por unos segundos, limpie el orificio “anti-airlock” y luego vuelva a activarla. |

ME40110M
ME40110T
ME40120M
ME40120T



LISTA DE PIEZAS DE REPUESTO

| Clave | Descripción | Cant. | ME40110T | ME40120T | ME40110M | ME40120M |
|-------|--|-------|------------|------------|------------|------------|
| 1 | Tornillo, #8-1/2" autorroscante (†) | 1 | U30-539SS | U30-539SS | – | – |
| 2 | Abrazadera del cable del interruptor (†) | 1 | CC0030-13 | CC0030-13 | – | – |
| 3 | Tapón de aceite | 1 | U78-941ZPV | U78-941ZPV | U78-941ZPV | U78-941ZPV |
| 4 | Mango anular | 1 | U97-128 | U97-128 | U97-128 | U97-128 |
| 5 | Conector del cordón | 1 | PS17-46P | PS17-46P | PS17-46P | PS17-46P |
| 6 | Aro tórico | 1 | U9-370 | U9-370 | U9-370 | U9-370 |
| 7 | Tapa del motor | 1 | PS18-149B | PS18-149B | – | PS18-149B |
| 8 | Tornillo de cabeza # 10-32 x 3/4" | 3 | U30-482SS | U30-482SS | U30-482SS | U30-482SS |
| 9 | Aro tórico | 1 | U9-339 | U9-339 | U9-339 | U9-339 |
| 10 | Disco aislador | 1 | PS18-82 | PS18-82 | PS18-82 | PS18-82 |
| 11 | Motor/Voluta superior | 1 | * | * | * | * |
| 12A | Ensamblaje del cabezal fijo del eje sellado | 1 | U9-379A | U9-379A | U9-379A | U9-379A |
| 12B | Aro giratorio del eje sellado | 1 | U9-321A | U9-321A | U9-321A | U9-321A |
| 13 | Impulsor | 1 | PS5-29P | PS5-29P | PS5-29P | PS5-29P |
| 14 | Junta | 1 | PS20-21 | PS20-21 | PS20-21 | PS20-21 |
| 15 | Voluta inferior | 1 | PS1-34P | PS1-34P | PS1-34P | PS1-34P |
| 16 | Tornillo del cuerpo inferior de la bomba #10-32x1" Arandela hexagonal, autorroscante | 7 | U30-966SS | U30-966SS | U30-966SS | U30-966SS |
| 17 | Tubería de placa*** | 1 | U43-142SS | U43-142SS | U43-142SS | U43-142SS |
| 18 | Tornillo de cabeza platillo #6-1/4"**** | 1 | U30-972SS | U30-972SS | U30-972SS | U30-972SS |
| 19 | Tornillo del cuerpo inferior de la bomba #10-32x1-1/8" Arandela hexagonal, autorroscante | 1 | U30-967SS | U30-967SS | U30-967SS | U30-967SS |
| 20 | Ensamblaje del cordón eléctrico | 1 | See Chart | See Chart | See Chart | See Chart |
| 21 | Conmutador de flotador anclado (†) | 1 | PS217-62 | PS217-64 | – | – |
| | Aceite dieléctrico. Todos los modelos usan .61 qts. | 1 | U197-8A | U197-8A | U197-8A | U197-8A |

* Si el motor falla, cambie toda la bomba.

(†) Para ser utilizado en los números de modelo que terminan en "T".

ENSAMBLAJE DEL CORDÓN ELÉCTRICO

| Modelo número de bomba | Número de parte |
|------------------------|-----------------|
| ME40110M | PW117-237-TSE |
| ME40110T | PW117-237-TSE |
| ME40120M | PW117-122-TSE |
| ME40120T | PW117-122-TSE |

Garantía Limitada

Myers® le garantiza al consumidor inicial (“Comprador” o “Usted”) de los productos indicados a continuación, que éstos estarán libres de defectos en materiales y en mano de obra durante el Período de Garantía especificado a continuación.

| Producto | Período de garantía lo que ocurra primero: |
|--|--|
| Bombas de chorro, pequeñas bombas centrífugas, bombas sumergibles y accesorios asociados | 12 meses desde la fecha de la instalación inicial, o 18 meses desde la fecha de fabricación |
| Tanques de devanado de fibra | 5 años desde la fecha de la instalación inicial |
| Tanques a presión de acero | 5 años desde la fecha de la instalación inicial |
| Productos para sumideros/aguas residuales/ efluente | 12 meses desde la fecha de la instalación inicial, o 36 meses desde la fecha de fabricación |
| Unidades de batería de refuerzo MBSP-2, MBSP-2C | 12 meses desde la fecha de la instalación inicial, o 18 meses desde la fecha de fabricación |
| MBSP-3, MBSP-3C | 24 meses desde la fecha de la instalación inicial, o 30 meses desde la fecha de fabricación |
| Bombas procesadoras de sólidos de aguas residuales | 12 meses desde la fecha de envío de la fábrica, o 18 meses desde la fecha de fabricación |

Nuestra garantía se aplica solamente en los casos en que tales productos se utilicen conforme a los requerimientos del catálogo del producto y/o de los manuales correspondientes. Por información adicional, se deberá consultar la garantía limitada estándar correspondiente que aparece en el manual del producto.

Nuestra garantía no se aplicará a ningún producto que, a nuestro solo juicio, haya sido sometido a negligencia, mal uso, instalación o mantenimiento inadecuados. Sin perjuicio a lo que antecede, nuestra garantía quedará anulada en el caso en que un motor trifásico se haya usado con una fuente de alimentación monofásica, a través de un convertidor de fase. Es importante indicar que la garantía quedará anulada si los motores trifásicos no están protegidos por relés de sobrecarga de disparo extra-rápido, con compensación ambiental de tres etapas, del tamaño recomendado.

Su único recurso, y la única obligación de MYERS es la de reparar o reemplazar los productos defectuosos (a juicio de MYERS). Usted deberá pagar todos los cargos de mano de obra y de envío asociados a esta garantía y deberá solicitar el servicio bajo garantía a través del concesionario instalador tan pronto como se descubra un problema. No se aceptará ninguna solicitud de servicio bajo garantía que se reciba después del vencimiento del Período de Garantía. Esta garantía no es transferible.

MYERS NO SE HARÁ RESPONSABLE DE NINGÚN DAÑO CONSECUENTE, INCIDENTAL O CONTINGENTE. LAS GARANTÍAS LIMITADAS QUE ANTECEDEN SON EXCLUSIVAS Y EN LUGAR DE TODA OTRA GARANTÍA EXPLÍCITA O IMPLÍCITA, INCLUYENDO, PERO SIN LIMITARSE, A LAS GARANTÍAS IMPLÍCITAS DE COMERCIALIZACIÓN E IDONEIDAD PARA UN FIN ESPECÍFICO, LAS GARANTÍAS LIMITADAS QUE ANTECEDEN NO SE EXTENDERÁN MÁS ALLÁ DEL PERÍODO DE GARANTÍA INDICADO EN LA PRESENTE.

Ciertos estados no permiten la exclusión o limitación de daños incidentales o consecuentes o la aplicación de limitaciones en la duración de garantías implícitas, de modo que es posible que las limitaciones o exclusiones que preceden no correspondan en su caso. Esta garantía le otorga derechos legales específicos, y es posible que Usted tenga otros derechos que pueden variar de un estado al otro.

Esta Garantía Limitada entra en vigor a partir del 1 de abril de 2014 y reemplaza toda otra garantía sin fecha o con fecha anterior al 1 de abril de 2014.

F.E. MYERS

293 Wright St., Delavan, WI 53115

Teléfono: 888-987-8677 – Fax: 800-426-9446 – www.fenmyers.com

En Canadá: 490 Pinebush Road, Unit 4, Cambridge, Ontario N1T 0A5

Teléfono: 800-363-7867 – Fax: 888-606-5484

THIS PAGE INTENTIONALLY LEFT BLANK

